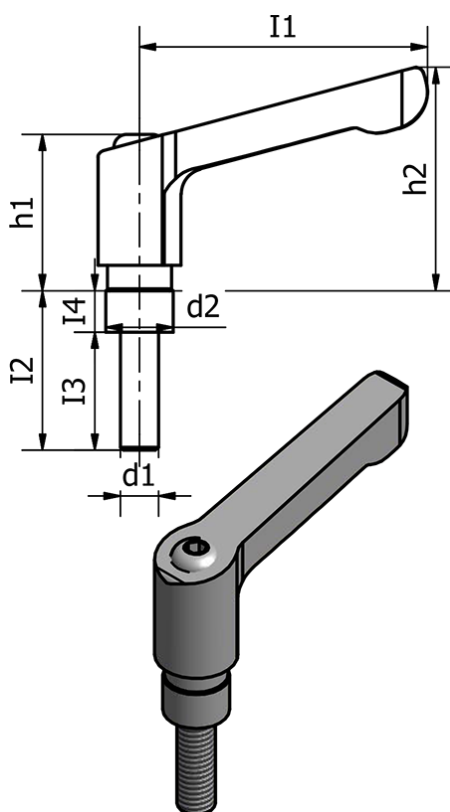


Article number: 20511M420

Description: E+G Clamping kit  
GN 511-M4-20

## Measures



d1 = 6

d2 = 7.5

h1 = 24.5

h2 = 30

l1 = 30

l2 = 20

l3 = 15.5

l4 = 4.5

Weight (g) = 40